

Zertifikat

Certificate



Zertifikat Nr. *Certificate No.*
S 50135965

Blatt *Page*
0001

Ihr Zeichen *Client Reference*
J.D.

Unser Zeichen *Our Reference*
05-WW- 16014206 001

Längstens gültig bis *Latest expiration date*
28.08.2013 (day/mo/yr)

Genehmigungsinhaber *License Holder*
Garland Company B.V.
P.O. Box 15844
1001 NH Amsterdam
Netherlands

Fertigungsstätte *Manufacturing Plant*
Hung Seng Hardware (DG) Corp. Ltd.
Xiayu Industrial Zone,
Changping Town,
Dongguan City,
Guangdong Province,
P.R. China

Prüfzeichen *Test Mark*



Geprüft nach *Tested acc. to*
2 PFG 1645/06.07
ZEK 01-08/01.08

Zertifiziertes Produkt (Geräteidentifikation)
Certified Product (Product Identification)

Lizenzentgelte - Einheit
License Fee - Unit

Abfallsammler (Diaper Pail)

5

Bezeichnung : 3041 R
(Type Designation)

Hauptmaße : 40cm X 28cm X 56cm
(Dimensions)

Gewicht : 3,2 kg
(Weight)

5

ANLAGE (Appendix): 1

Dem Zertifikat liegt unsere Prüf- und Zertifizierungsordnung zugrunde.
Produkt und Fertigungsstätte erfüllen § 4 (1) bzw. (2) und § 7(1) des Geräte- und Produktsicherheitsgesetzes.

*This certificate is based on our Testing and Certification Regulation.
Product and production fulfill par 4 Art. 1 or Art. 2 and Par 7 Art. 1 of the German Equipment and Product Safety Law.*

TÜV Rheinland Product Safety GmbH, Am Grauen Stein, D-51105 Köln
Tel.: (+49/221)8 06 - 13 71 e-mail: cert-validity@de.tuv.com
Fax: (+49/221)8 06 - 39 35 http://www.tuv.com/safety



Zertifizierungsstelle

Dipl.-Ing. (FH) T. Zimmer

Ausstellungsdatum *Date of Issue* : 29.08.2008 (day/mo/yr)



Garland Company B.V.
Mr. Jos Dommerholt
-
P.O. Box 15844
1001 NH Amsterdam
Netherlands

Date : 29.08.2008
Our ref. : WW 05
Your ref.: J.D.

Ref : S GS-Mark Approval

Type of Equipment : Diaper Pail
Model Designation : See Certificate
Certificate No. : S 50135965 0001
Report No. : 16014206 001

Dear Mr. Jos Dommerholt,

The above specified technical equipment has been tested and found to be in accordance with the relevant requirements.

Enclosed you will find the certificate of approval.

If cancellation of the certificate is submitted by November 15 in a given year, no fee will be charged for the following year.

We appreciate your kind support and would like to offer our assistance and continuous services in the future.

Please contact our office for approval of your new products.

With kind regards,

Certification Body


Dipl.-Ing. (FH) T. Zimmer

Enclosure

TÜV Rheinland/
CCIC (Qingdao) Co., Ltd.
Unternehmensgruppe
TÜV Rheinland Group

6F, Flat B, Fu Tai Plaza,
18 Hong Kong Middle Road,
Qingdao 266071, P.R. China

Tel : (86-532) 578 1778
Fax : (86-532) 578 1079
e-mail: info@qd.chn.tuv.com
<http://www.chn.tuv.com>

Products	Constructional Data Form	
Report No. 16014206 001	License No. S 50135965 0001	Appendix No. 1
Page 1/2		

1.1 License holder Garland Company B.V.
P.O. Box 15844, 1001 NH, AMSTERDAM, THE NETHERLANDS

1.2 Manufacturer plant Hung Seng Hardware (DG) Corp. Ltd
Xiayu Industrial Zone, Changping Town, Dongguan City, Guangdong Province, PRC.

1.3 Product Identification Diaper Pail

1.4 Type Designation 3041 R

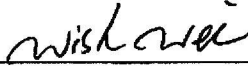
2.1 Weight 3,2 kg

2.2 Materials & Specification & dimensions
Height: 56 cm; Width: 28cm; Length: 40cm


No.	Components	Specification	Material
1	Seal	Blue 2758C	TPE-E
2	Drum	Blue	PP
3	Cylinder	White	PP
4	Piston	White	PP
5	Sand Cup	Mottle	PP
6	Knob	Blue	ABS
7	Drum_Handle	Blue 2758C	PP
8	Top	White	PP
9	Snap_Knob	Blue 2758C	PP
10	Snap Knob Spring	1.2mm* D15.5mm*34mm* 6n	Ferrum
11	Bag_holder	Blue 2758C	PP
12	Axis	Red 200C	PP
13	Axis Spring	D0.9mm*D10mm*48mm* 10n	Ferrum
14	Pail_Top	White	PP
15	Base	White	PP
16	Pail_Bottom	White	PP
17	Pedal	Light bule 3252M	PP
18	Spring_Cover	Light bule 3252M	PP
19	Pedal_Sping	D11.5*17.7*L55mm*8n	Ferrum
20	Pedal_Axis	D1.5*L150mm	Ferrum
21	Peda Cottor Pin	D1.5*L15mm	Ferrum

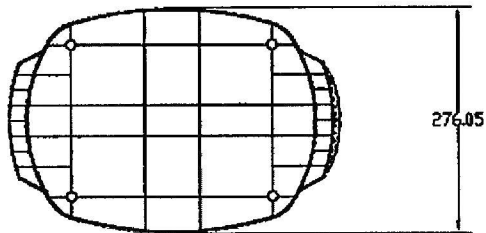
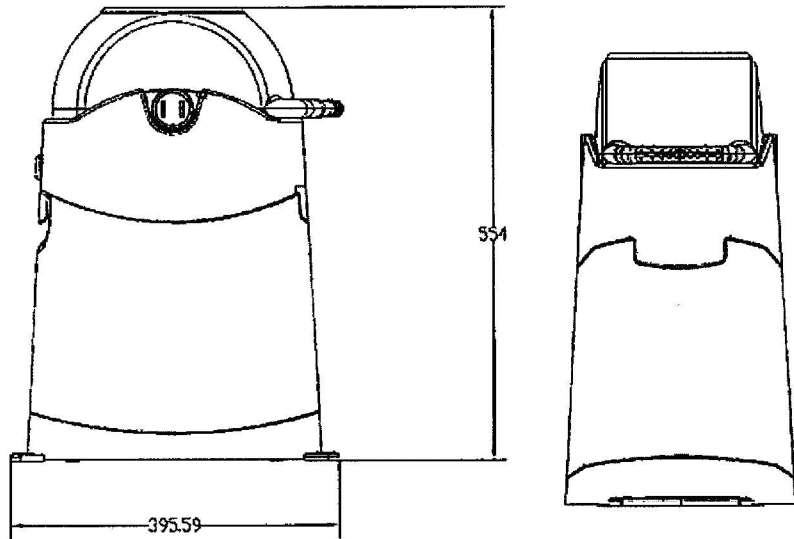
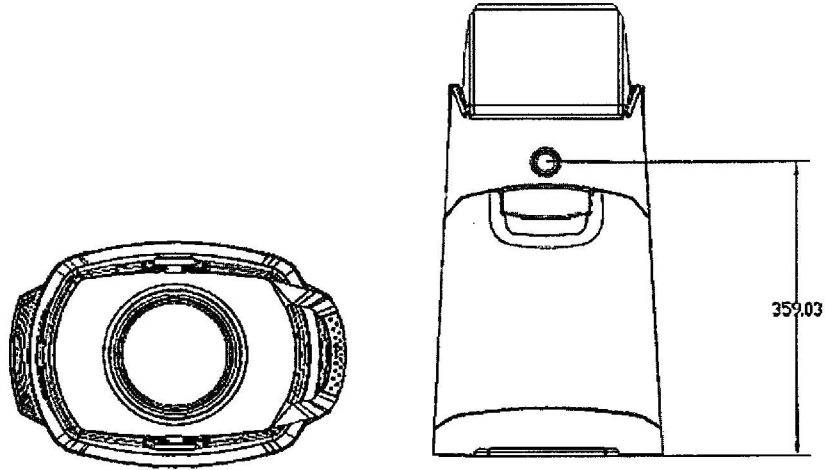
2.3 Overview drawings

TÜV Rheinland Group

Aug 26, 2008 Wish Wei 

Date Name Signature

Products	Constructional Data Form	 TÜVRheinland®
Report No. 16014206 001	License No. S 50135965 0001	Appendix No. 1 Page 2/2



TÜV Rheinland Group

Aug 26, 2008

Wish Wei



Date

Name

Signature